

LAUNDRY ROOM AND UTILITY ROOM SINKS



Shown with Optional
DTA-53-117RE Faucet.

FREE STANDING UNITS

Features:

- 16 Gauge, Type 304 Stainless Steel
- 8" O.C. faucet hole punch
- 1-5/8" stainless steel tubular legs with adjustable bullet feet
- 3-1/2" center drain and basket strainer (1-1/2" I.P.S.)

One Compartment Units

Model	Inside	Overall Size	Approx. Wt.
	Sink Bowl Dim. L x W		
6-81-18RE	18"x18"x14"	18"x21-1/2"	45 lbs.
6-1-24RE	24"x21"x14"	24"x24-1/2"	52 lbs.
6-41-24RE	24"x24"x14"	24"x27-1/2"	54 lbs.
6-41-36RE	24"x36"x14"	36"x27-1/2"	67 lbs.

Faucet Not Included. K-105RE Faucet recommended.

Two Compartment Units

Model	Inside	Overall Size	Approx. Wt.
	Sink Bowl Dim. L x W		
6-2-36RE	18"x21"x14"	36"x24-1/2"	73 lbs.
6-2-48RE	24"x21"x14"	48"x24-1/2"	85 lbs.
6-42-48RE	24"x24"x14"	48"x27-1/2"	88 lbs.

Faucet Not Included



STAINLESS STEEL ACCESSORY CADDY AC-RE

Holds soap, sponges & detergent on the
side of the sink
13-1/2" L x 4" W x 3" H

STAINLESS STEEL SINK COVER



Converts sink into
work area

Conveniently hangs
when not in use

Model	Fits Laundry Sink
LSC-81RE	6-81-18RE
LSC-24RE	6-1-24RE
LSC-242RE	6-41-24RE
LSC-36RE	6-41-36RE

WALL MOUNTED UNITS



Shown with Optional K-123RE Faucet & K-13RE Soap Dispenser.

Features:

- 16 Gauge, type Type 304 Stainless Steel
- One compartment unit
- 10" high backsplash
- 4" O.C. faucet hole punch
- Stainless steel tubular support brackets
- Stainless steel "Z" rear wall bracket
- 3-1/2" center drain and basket strainer (1-1/2" I.P.S.)

Model	Inside	Overall Size	Approx. Wt.
	Sink Bowl Dim. L x W		
WSS-14-21RE	18"x14"x12"	18"x17-1/2"	45 lbs.
WSS-16-25RE	22"x16"x12"	22"x19-1/2"	52 lbs.

Faucet Not Included. K-123RE Faucet recommended.

LAUNDRY ROOM DROP-IN SINKS



Features:

- 16 Gauge, Type 304 Stainless Steel
- Three 4" O.C. hole punch for faucet installation -
Additional hole punches available (Must verify faucet being installed)
- Stainless steel 3-1/2" center drain and basket strainer (1-1/2" I.P.S.)
- Sound deadened

Model	Sink Bowl Dim.	O.A.	Cut-Out	Approx. Wt.
	L x W x D	L x W	Size	
LS-2016-14RE	20"x16"x14"	23"x21"	22-1/4"x20-1/4"	35 lbs.
LS-2418-14RE*	24"x18"x14"	27"x23"	26-1/4"x22-1/4"	42 lbs.
LS-2820-14RE*	28"x20"x14"	31"x25"	30-1/4"x24-1/4"	50 lbs.

*Requires a 30" wide Countertop (Front to Back)

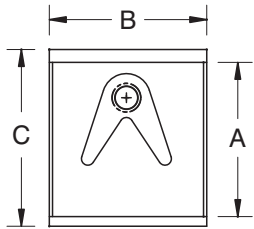
Faucet Hole Revisions Available TA-472RE (Must specify hole locations)

Professional Stainless Steel Products For Your Home

Toll Free Phone: 866-799-0106 • Toll Free Fax: 866-799-0249

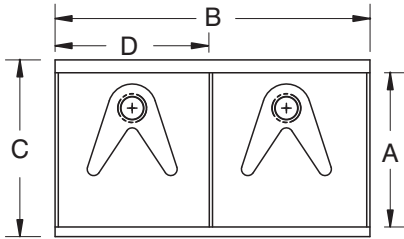
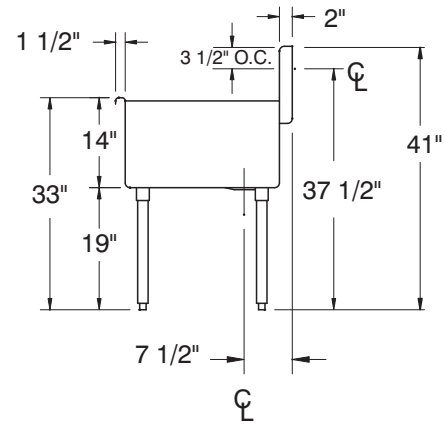
www.alinebyadvancetabco.com

FREE STANDING UTILITY/LAUNDRY UNITS



ONE COMPARTMENT

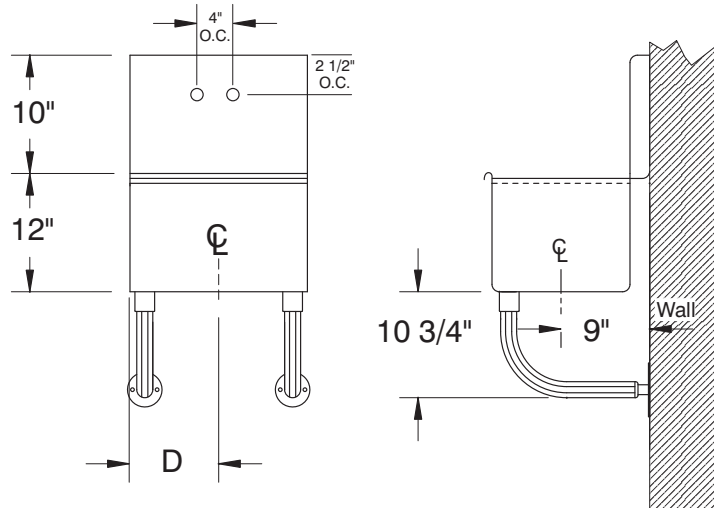
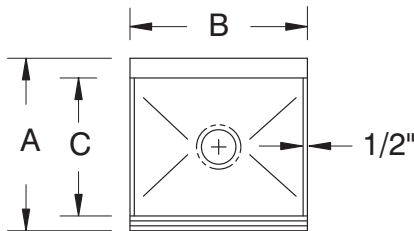
A	B	C	"600" Series 16 Ga. S/S "300"	Ship Weight
18"	18"	21 1/2"	6-81-18RE	45 lbs.
21"	24"	24 1/2"	6-1-24RE	53 lbs.
24"	24"	27 1/2"	6-41-24RE	53 lbs.
24"	36"	27 1/2"	6-41-36RE	69 lbs.



TWO COMPARTMENT

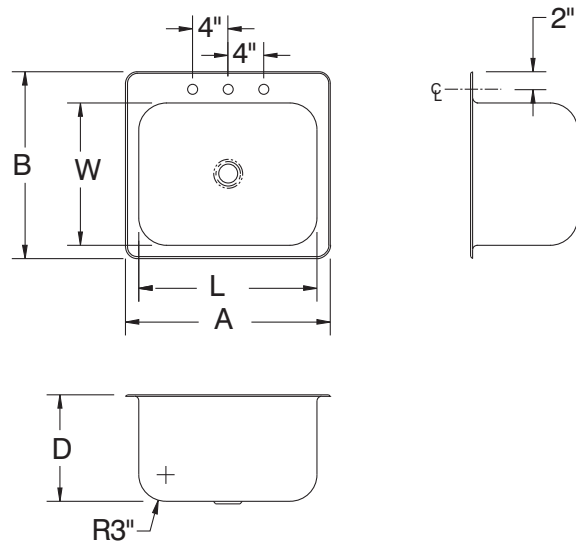
A	B	C	D	"600" Series 16 Ga. S/S "300"	Ship Weight
21"	36"	21 1/2"	18"	6-2-36RE	73 lbs.
21"	48"	24 1/2"	24"	6-2-48RE	86 lbs.
24"	48"	27 1/2"	24"	6-42-48RE	88 lbs.

WALL MOUNTED UTILITY/LAUNDRY UNITS



Bowl Size				"600" Series 16 Ga. S/S "300"	Ship Weight
A	B	C	D		
17 1/2"	18"	14"	9"	WSS-14-21RE	45 lbs.
19 1/2"	22"	16"	11"	WSS-16-25RE	52 lbs.

LAUNDRY ROOM DROP-IN SINKS



Model	Sink Bowl Dim. L x W x D	O.A. A x B	Cut-Out Size L x W	Approx. Wt.
LS-2016-14RE	20"x16"x14"	23"x21"	22-1/4"x20-1/4"	35 lbs.
LS-2418-14RE*	24"x18"x14"	27"x23"	26-1/4"x20-1/4"	42 lbs.
LS-2820-14RE*	28"x20"x14"	31"x25"	30-1/4"x24-1/4"	50 lbs.

*Require a 30" wide Countertop (Front to Back)
Faucet Hole Revisions Available TA-472RE (Must specify hole locations)

Professional Stainless Steel Products For Your Home

Toll Free Phone: 866-799-0106 • Toll Free Fax: 866-799-0249

www.alinebyadvancetabco.com