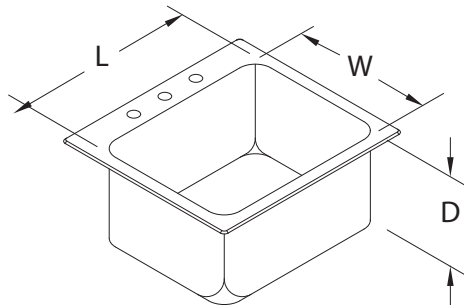


## The Core™ Group DROP-IN SINKS



**Features:**

- 18 Gauge, Type 304 Stainless Steel ("+" symbol indicates 16 Gauge Units)
- 3" deck with three 4" O.C. 1-1/4" hole punch for faucet installation - Additional hole punches available (Must verify faucet being installed)
- Stainless steel 3-1/2" center drain and basket strainer (1-1/2" I.P.S.)
- Sound deadened



Inside Sink Bowl Dimensions

Model	Sink Bowl Dim. L x W x D	O.A. L x W	Cut-Out Size	Sink Base Length	Approx. Wt.
SS-1-1919-7RE	16"x14"x7-1/2"	19"x 19"	18-1/4"x18-1/4"	24"	16 lbs.
SS-1-1919-10RE	16"x14"x10"	19"x 19"	18-1/4"x18-1/4"	24"	18 lbs.
SS-1-1919-12RE	16"x14"x12"	19"x 19"	18-1/4"x18-1/4"	24"	20 lbs.
SS-1-2321-7RE	20"x16"x7-1/2"	23"x 21"	22-1/4"x20-1/4"	27"	20 lbs.
SS-1-2321-10RE	20"x16"x10"	23"x 21"	22-1/4"x20-1/4"	27"	22 lbs.
SS-1-2321-12RE	20"x16"x12"	23"x 21"	22-1/4"x20-1/4"	27"	24 lbs.
SS-1-3125-10RE*	28"x20"x10"	31"x25"	30-1/4"x24-1/4"	36"	44 lbs.
SS-1-3125-12RE*	28"x20"x12"	31"x25"	30-1/4"x24-1/4"	36"	46 lbs.

\* Island or 36" Base Installation only. Faucet Not Included.

Faucet Hole Revisions Available TA-472RE  
(Must specify hole locations)

Professional Stainless Steel Products For Your Home

Toll Free Phone: 866-799-0106 • Toll Free Fax: 866-799-0249

www.alinebyadvancetabco.com